

**LEGEND:**

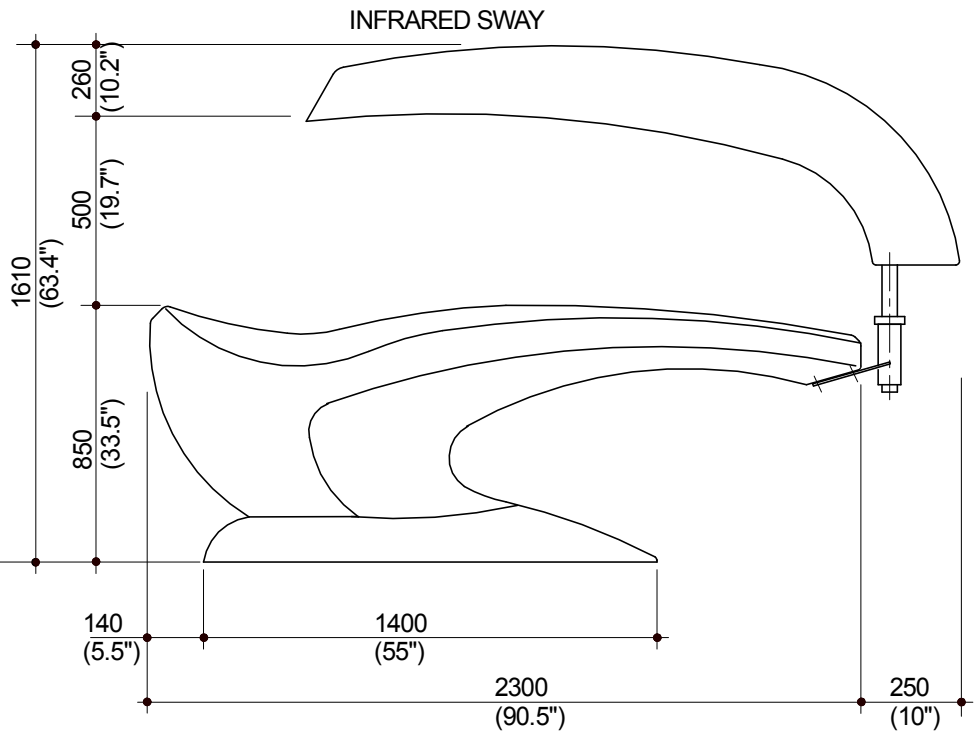
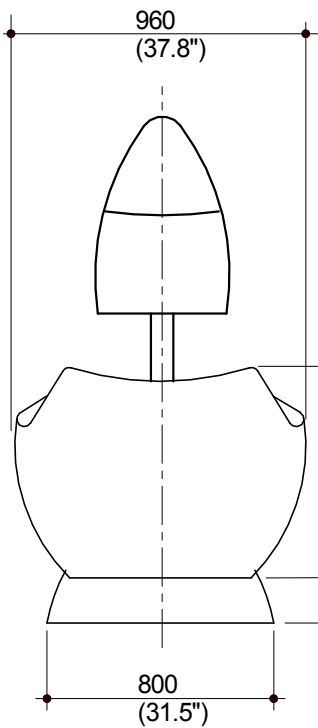
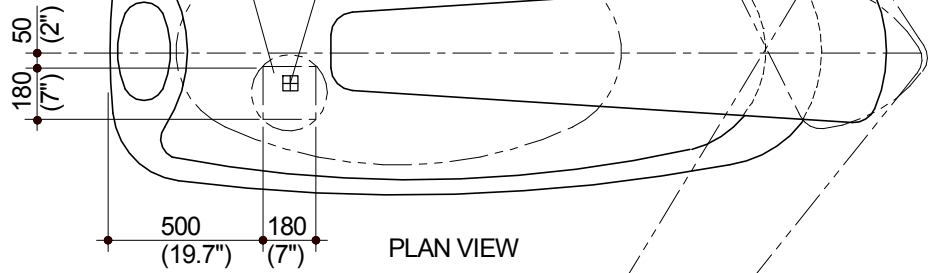
⊞ ELECTRICAL SUPPLY.

**NOTE:** SOFTIME SUPPLIED WITH 2 METRE CABLE.

ELECTRICAL SUPPLY MUST BE PROTECTED VIA ELCB/GFCI

SERVICE CONNECTION - AREA

ELECTRICAL SUPPLY.



**NOTE:** MAIN BODY, SEPERATES FROM BASE, INFRA-RED SWAY REMOVES FROM BRACKET. TO ALLOW ACCESS THROUGH STANDARD DOOR OPENING

**SPECIFICATION: - 1.**

- WATERBED
- VIBRATION

**SPECIFICATION: - 2.**

- WATERBED
- VIBRATION
- INFRARED SWAY

**SERVICES REQUIRED:**

ELECTRICAL: 10 Amp SINGLE PHASE DEDICATED SUPPLY VIA ELCB/GFCI

- 230 VOLT, 50 Hz, SINGLE PHASE
- 120 VOLT, 60 Hz, SINGLE PHASE

**HYDROCO (AUST) PTY LTD**  
SEAFORD VICTORIA AUSTRALIA

ph.+61 3 8770 4000 www.hydroco.com fax.+61 3 9773 6122

**SOFTIME -SPECIFICATION -1**

**SOFTIME -SPECIFICATION -2**

DRG No.ST-INST-003